



Product designation				MINIATURE RELAYS
Product type designation				HR501C
<b>Contact characteristics</b>				
Contact configuration				1 C/O
Rated insulation voltage $U_i$ IEC/EN	V			250
Rated impulse withstand voltage $U_{imp}$	kV			6
IEC Conventional free air thermal current $I_{th}$	A			16
Maximum instantaneous current	A			20
Rated current ( $I_n$ )	A			16
Relay control voltage	V			110VAC
Max contrrollable power in				
		AC-1	W	4000
		AC-15	VA	150
Rated operating power AC-1			VA	4000
Rated operating power AC-15			VA	150
		230 VAC	VA	150
Single-phase motor control			kW	0.1
		230VAC	kW	0.1
Rated operating current DC-1			A	12
		30V	A	12
		110V	A	0.3
		220V	A	0.1
Minimum switching load			V / mA	5 / 100
Contact impedance			mO	100
Contact material				Ag/Ni
<b>Operating times</b>				
Closing			ms	<15
Opening			ms	<15
<b>Operations</b>				
Mechanical life			cycles	10000000
Electrical life AC1			cycles	30000
<b>Coil characteristics</b>				
Average coil consumption AC at 20°C			VA	1
Average coil consumption DC at 20°C			W	0.4
Operating range				
		Closing	% $U_n$	70...110
		Opening	% $U_n$	20...55
Maximum cycle frequency			cycles/h	3600
<b>Mechanical features</b>				
Max socket terminal tightening torque			Nm	0.6
Socket screw tightening tool (cross / flat blade)				PH1 / 4.5mm
Conductor section				
	AWG/Kcmil			

	min	20
	max	14
IEC		
	min	mm <sup>2</sup> 0.5
	max	mm <sup>2</sup> 2.5
Operating position		
	normal	Any
Fixing		
		On 35mm DIN rail and with screw

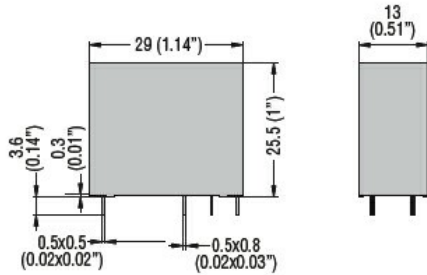
**Ambient conditions**

Temperature		
Operating temperature		
	min	°C -40
	max	°C +70
Storage temperature		
	min	°C -40
	max	°C +85

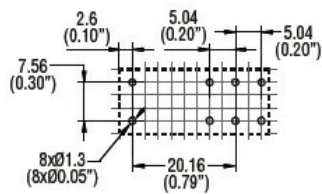
**Other features**

Indication	Yes
Mechanical contact position indicator	Yes
Mechanical test actuator	Yes

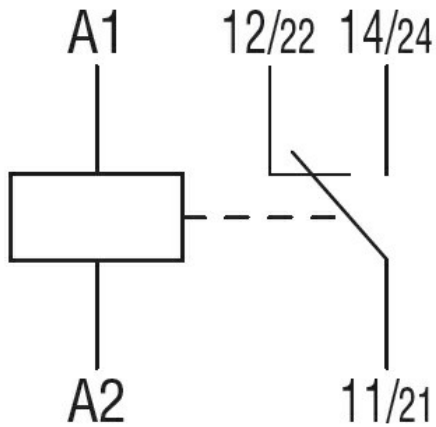
**Dimensions**



**PCB layout**



**Wiring diagrams**



**Certifications and compliance**

Compliance

IEC/EN 61810

Certificates

CSA

cURus

EAC

VDE

**ETIM classification**

ETIM 8.0

EC001437 -  
 Switching relay